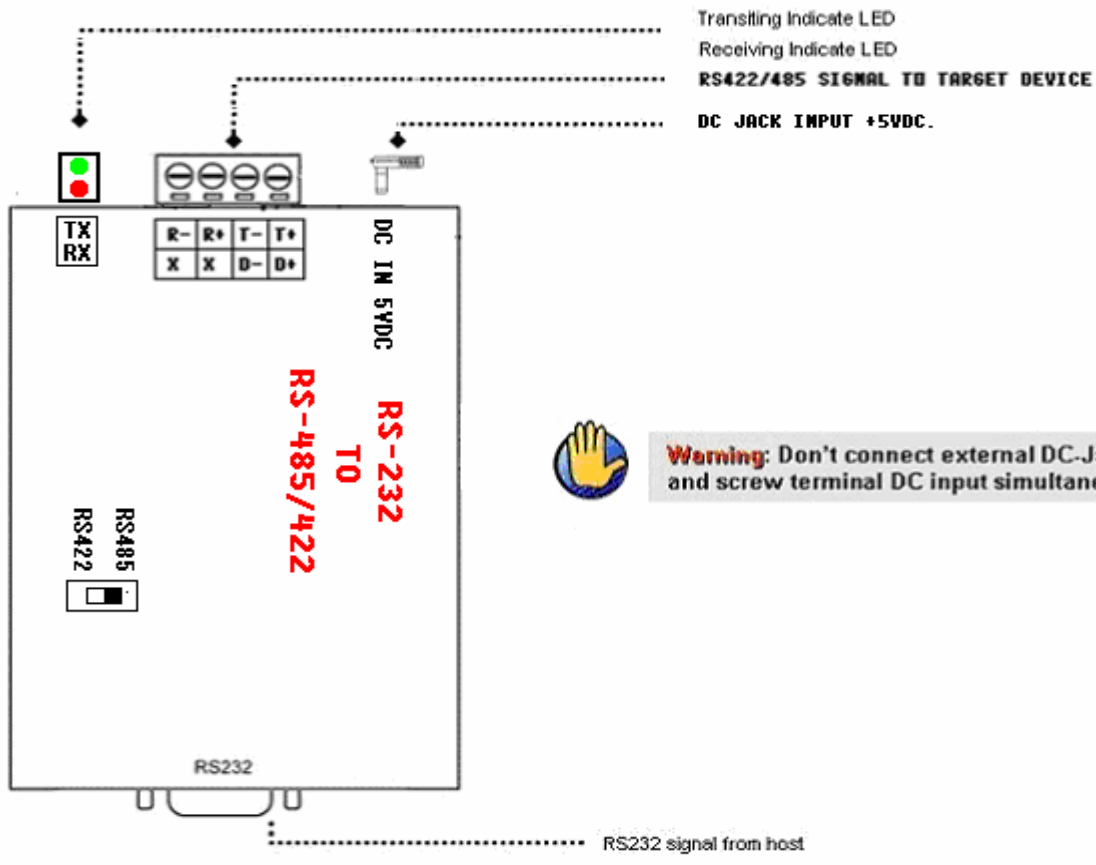


RS-232 to RS-485/422 Non-Powered Converter Quick Installation Manual

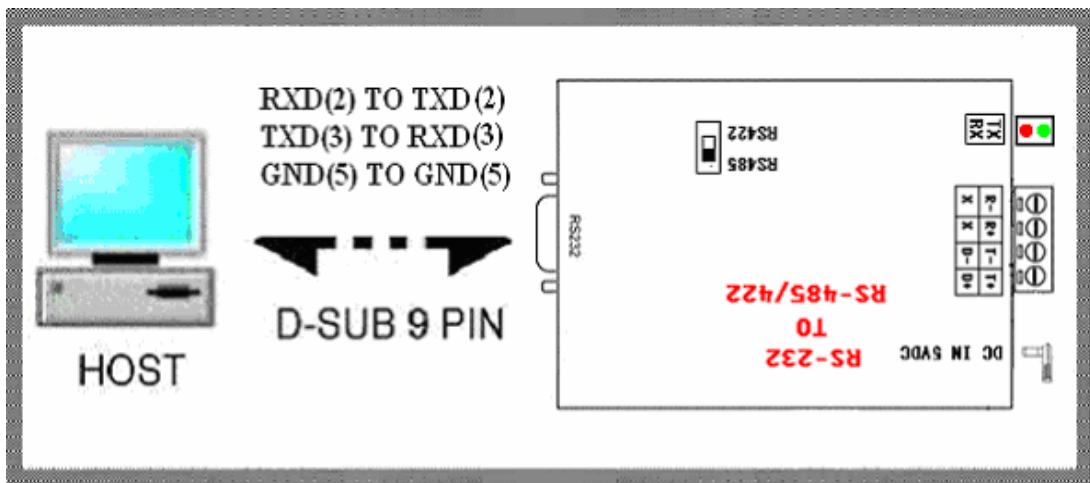


Panel Layout

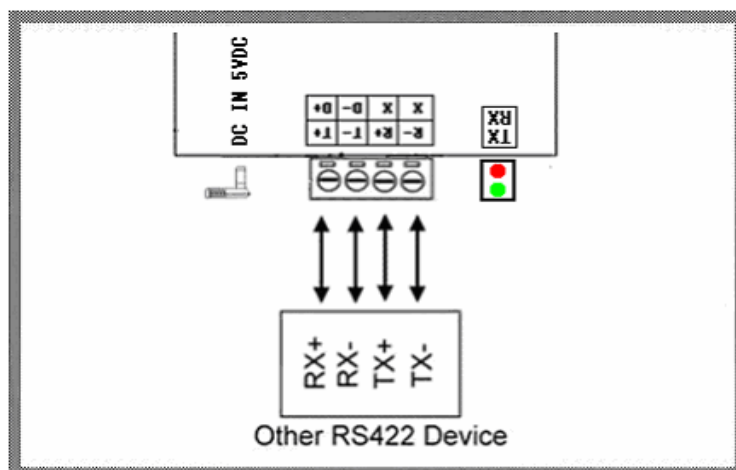
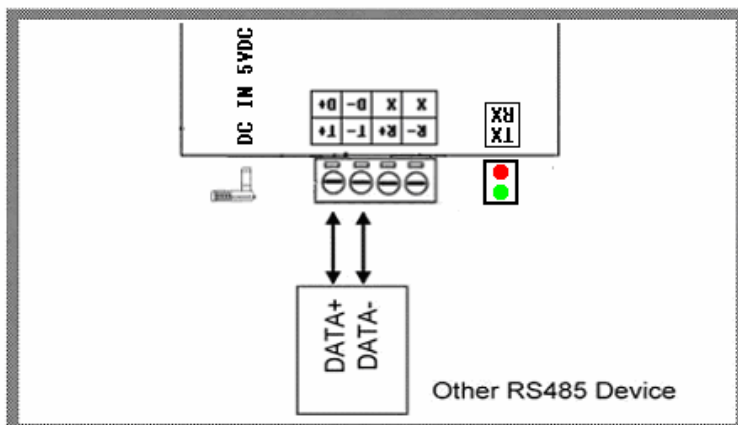


Installation

Connect power source or use standard COM port power (TXD, RXD, DTR, DSR, CTS, RTS, GND). Connect this converter with Host PC.



Connect this converter with RS-422 or RS-485/422 serial device.



Loop back test for RS-422

