

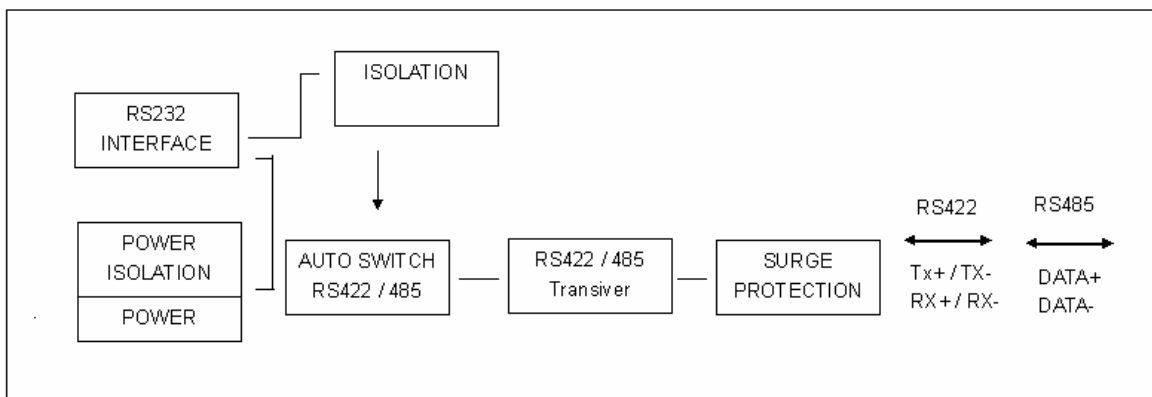
# RS-232 to RS-485/422 Isolated Converter

## Quick Installation Guide

### Panel layout

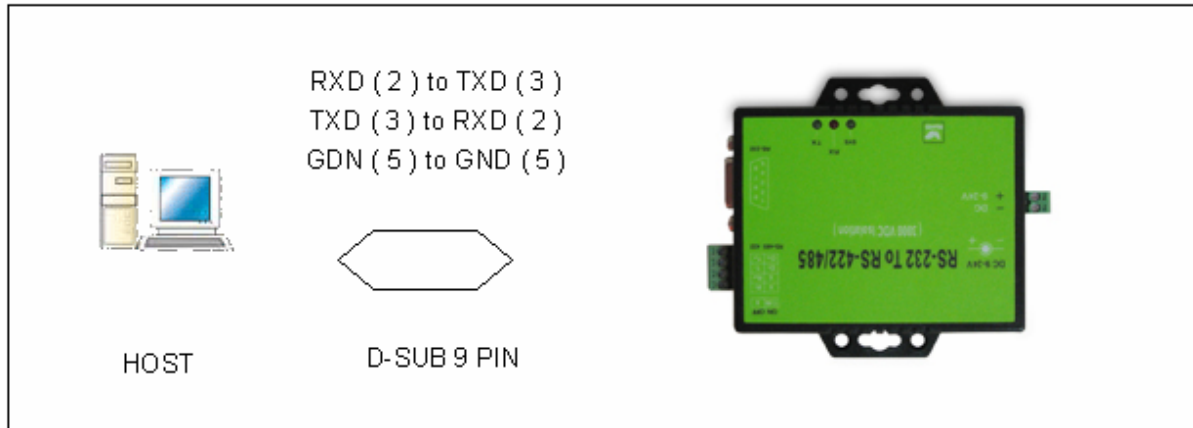


### Hardware structure



## Installation

Connect this converter with Host PC



## Connect power source

Connect this converter with RS-422 or RS-422/485 serial devices.

